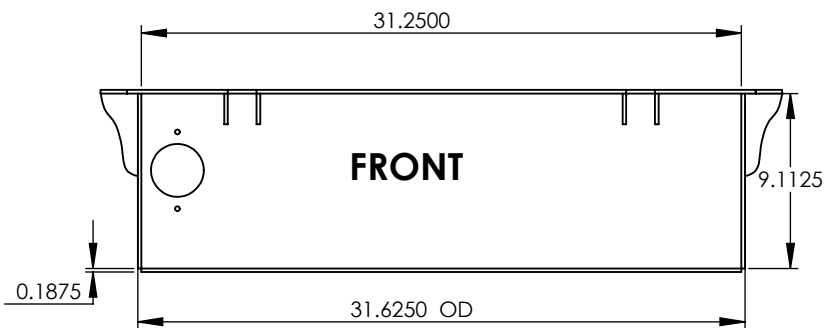


2

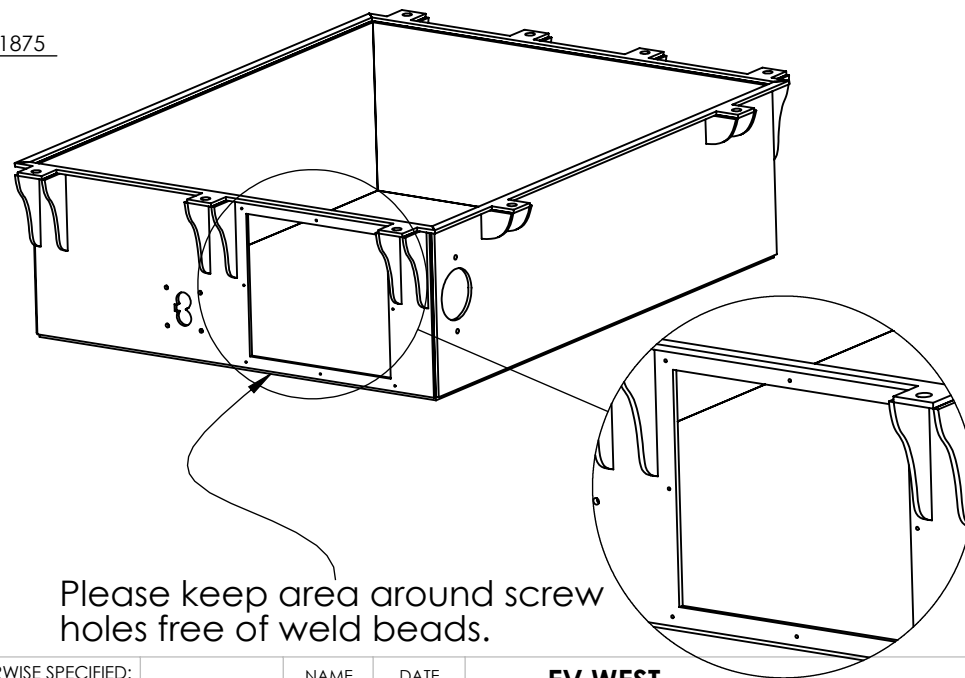
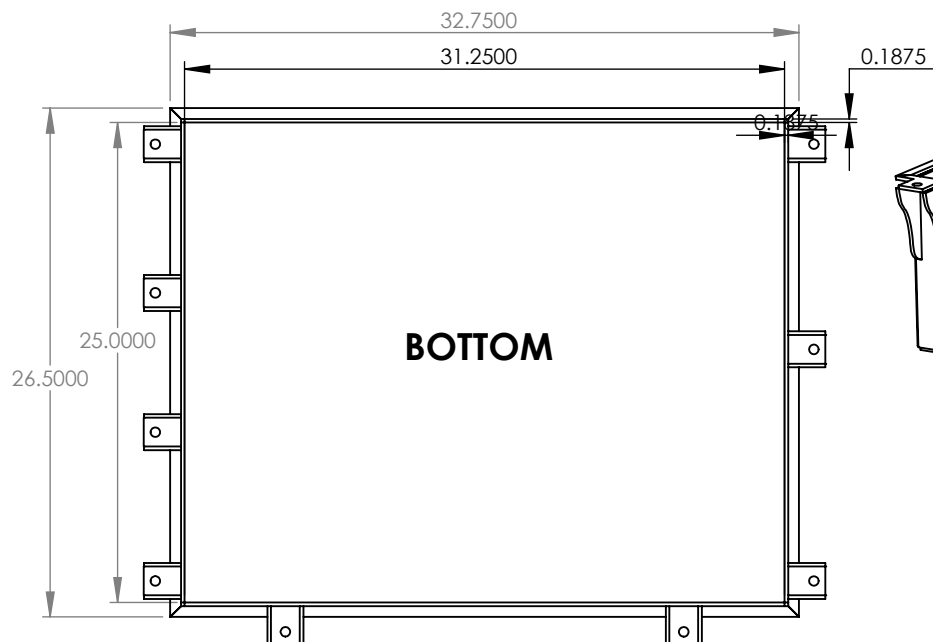
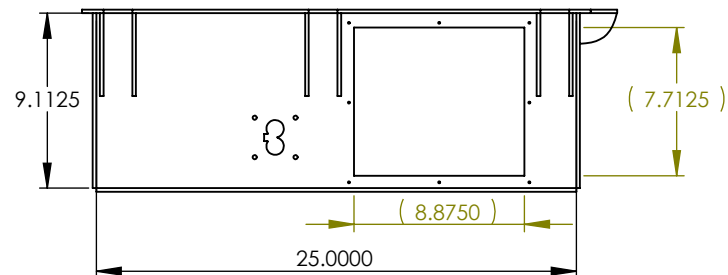
1

B

B



LEFT SIDE



A

A

PROPRIETARY AND CONFIDENTIAL
 THE INFORMATION CONTAINED IN THIS DRAWING IS THE SOLE PROPERTY OF EV WEST. ANY REPRODUCTION IN PART OR AS A WHOLE WITHOUT THE WRITTEN PERMISSION OF EV WEST IS PROHIBITED.

		UNLESS OTHERWISE SPECIFIED:	NAME	DATE
		DIMENSIONS ARE IN INCHES	DRAWN	MC BREMS
		TOLERANCES:		01/26/21
		FRACTIONAL ±	CHECKED	
		ANGULAR: MACH ± BEND ±	ENG APPR.	
		TWO PLACE DECIMAL ±	MFG APPR.	
		THREE PLACE DECIMAL ±	Q.A.	
		INTERPRET GEOMETRIC TOLERANCING PER:	COMMENTS:	
		MATERIAL -		
		3/16 INCH ALUMINUM PLATE		
		FINISH		
NEXT ASSY	USED ON			
APPLICATION		DO NOT SCALE DRAWING		

EV WEST

TITLE:

SIZE **A** DWG. NO. **VW_BUS_SIX_PACK_BATTERY_BOX** REV

SCALE: 1:10

SHEET 1 OF 1

2

1