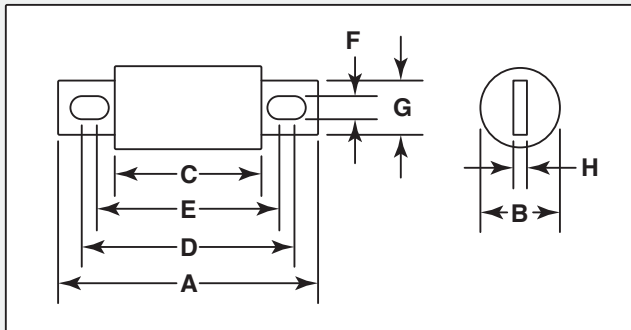


EVF-50 FUSES 500V, 150A-1000A



TOLERANCES

Unless otherwise specified:

- Linear dimensions (A, B, C, D, E, F, G, H): ± 0.3 mm
- Mounting hole diameter (H): ± 0.2 mm
- Tolerances per ISO 2768-1, Class m

Dimensions and specifications are subject to change without notice. Please contact EV West for the most current information.

DIMENSIONS

Fuse Part Number	Amp Rating (A)	Voltage Rating (VDC)	A	B	C	D	E	F	G	H	Fuse Holder
EV50A150	150	500	91.8	25.0	48.0	75.8	66.8	8.9	18.2	3.2	FH3
EV50A400	400	500	91.9	30.1	48.1	74.4	67.9	9.0	21.8	4.9	FH3
EV50A500	500	500	111.0	36.0	53.0	87.1	70.4	10.3	25.8	5.9	FH5
EV50A600	600	500	111.0	36.0	53.0	87.1	70.4	10.3	25.8	5.9	FH5
EV50A700	700	500	110.3	51.1	52.7	90.3	71.3	10.4	37.8	6.1	FH5
EV50A800	800	500	109.8	51.1	52.5	89.8	70.7	10.4	37.8	6.0	FH5
EV50A1000	1000	500	160.4	63.6	52.1	129.5	91.0	13.4	50.0	9.9	FH6

RATINGS:

- Amps: 150 to 1000 A
- Volts: 500 VDC

STANDARDS:

- IEC60269-1
- IEC60269-1
- GB/T31467.3